

MODEL 736LX

BEDDING DISPENSER



MODEL 736LX

The LYNX 736LX Bedding Dispenser is an automatic, conveyORIZED unit designed to automatically dispense most solid free flowing bedding materials* into animal cages as they are conveyed through the filling chamber. The bedding volume is adjustable to accommodate various bedding depths and sizes of cages.

STANDARD FEATURES:

- 12 Cubic Foot Bedding Hopper
- Load-end Water Collection Pan
- Clean-out Access Ports
- Operator Control Panel
- Adjustable Bedding Fill Volume

CONSTRUCTION:

- All 304 Stainless Steel Construction
- Powered Stainless Steel Rollers
- Designed for Left or Right Hand Controls and Hopper Access

OPTIONAL FEATURES:

- Standard Dust Collection System
- Premium Dust Collection System
- Knock-down Shipment
- Photo-electric Conveyor Stop
- Seismic Tie-down
- Discharge Roller Conveyor
- Extended Powered Discharge Conveyors
- Automatic Bedding Fill Funnel, Integrated into Bedding Transfer System

* Equipment designed for free-flowing and non-bridging bedding. Please consult the factory for all other bedding.



Size:

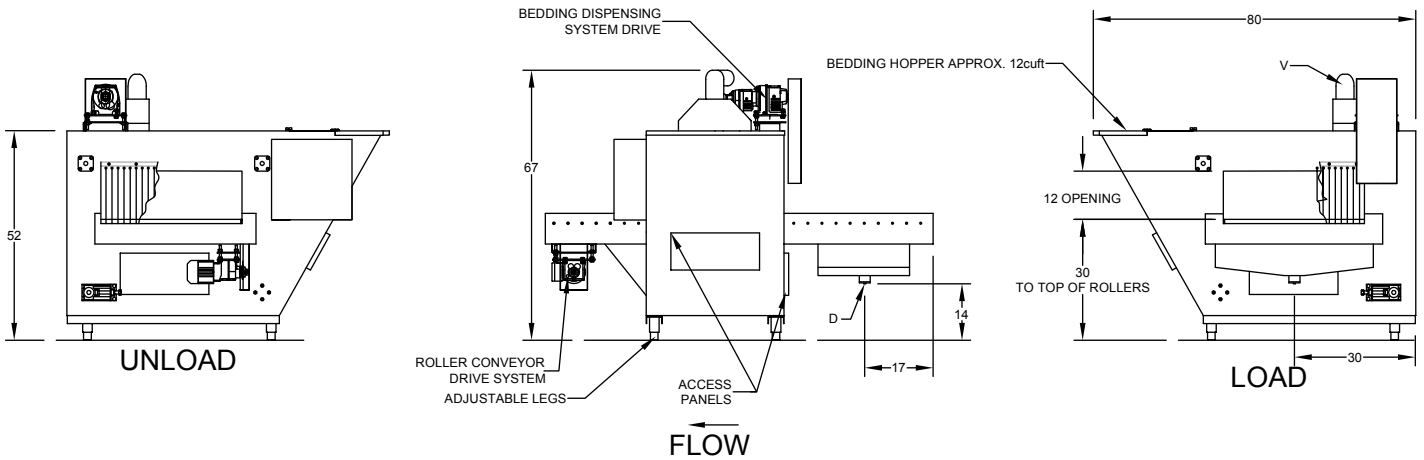
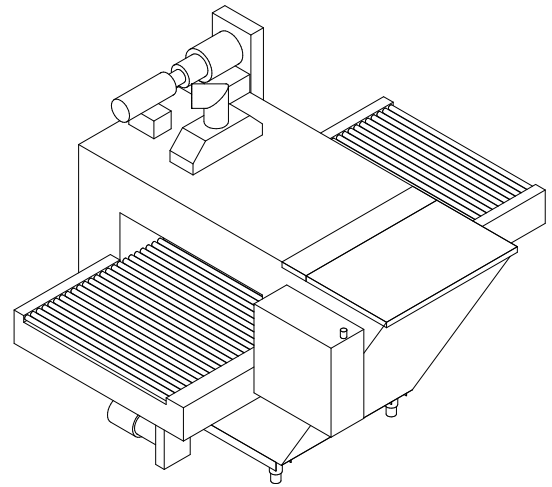
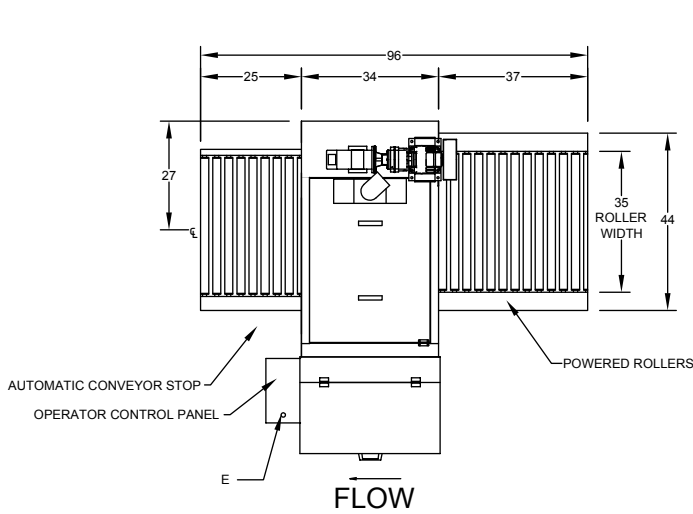
Tunnel Opening:
12" high x 42" wide

Overall Unit:
67" high x 86" wide x 96" long

700

SERIES

E	Electrical	40A – 110V	
D	Drain	2" Floor Drain	
V	Vent	4" ID Duct	650 CFM



For further information, please contact: