

# MODEL 320LXe

CAGE AND BOTTLE WASHER



## Size:

Compartment:

48" wide x 32" high x 34" deep

Overall Unit:

72" wide x 82" high x 38 $\frac{1}{2}$ " deep

Note: Washer can be designed to any size to meet new or existing applications.

## MODEL 320LXe

The LYNX Model 320LXe Cage and Bottle Washer is an electrically heated, heavy duty, single chamber, hydro-spray washer designed for thorough, efficient cleaning of cages, racks, debris pans, and miscellaneous items used in the care of laboratory animals.

### STANDARD FEATURES:

- Drop-down Door
- Oscillating Spray Jet System
- Personnel Safety Features
- Micro-computer Control System with Modem Package
- Automatic Ten-phase Treatment Cycle
- Automatic Self-cleaning Screen
- Temperature Guarantee
- Insulated Construction
- Incoming Utility Gauges
- Interior Illumination
- S/S Recirculation Piping and Components

### CONSTRUCTION:

- All Stainless Steel Construction
- Automatic Water Level Control
- 7 $\frac{1}{2}$  HP Treatment Pump
- Electric Heating Elements
- Touch Screen Operator Interface
- Programmable Cycles
- Direct Read Pump Pressure Gauge
- Double-pane Glass Window

### ACCESSORIES:

- Stainless Steel Universal Cage Wash Rack System
- Stainless Steel Pan Wash Rack
- Transfer Cart
- Modular Walls
- Barrier Wall Flange(s)

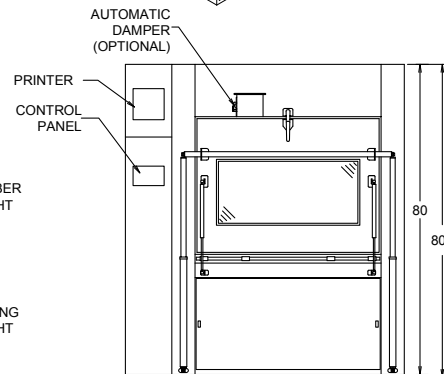
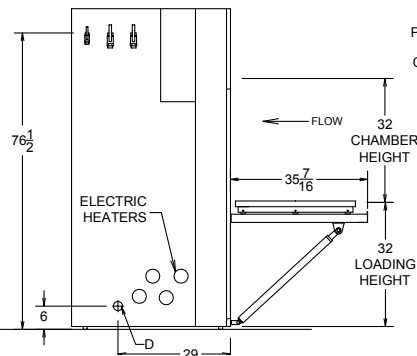
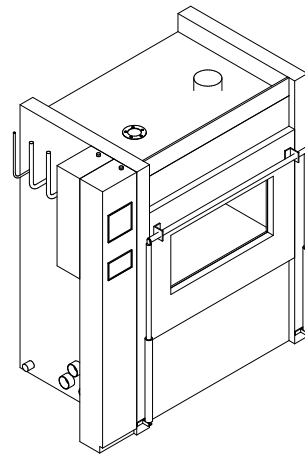
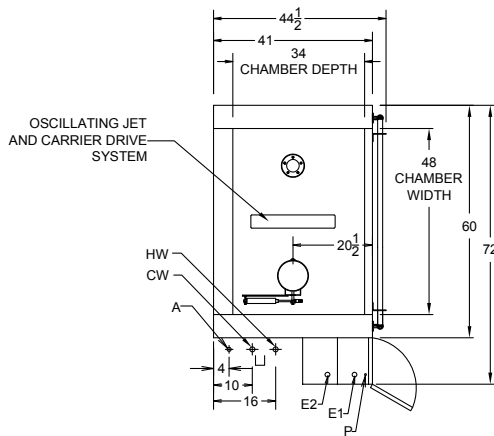
**300**  
SERIES

E	Electrical	3-60-208/230/480 V	9 HP	
E2	Electrical	3-60-208/230/480 V	36 kW	
HW	Hot Water	1" NPT	35 PSI	30 GPM @ 140 °F ± 5 °F (20-140 gal/load consumption)
C	Condensate	1" NPT		
D	Drain	4" Floor Drain (Minimum)	90 GPM	Flow Rate @ 195 °F
V	Vent	8" ID Duct	200 CFM	Saturated Vapor @ 190 °F
A	Air	½" NPT	80 PSI	4 CFM Flow Rate
CW*	Cold Water	1" NPT	50 PSI	40 GPM @ 50 °F ± 5 °F

\*CW – Required if drain discharge cool-down package is ordered

## OPTIONAL FEATURES:

- LYNX OPTI-Wash™ System
- High Capacity Center Header System
- Pass-thru Unit
- Right or Left Hand Services
- Cold Water Fill
- Integral Data Collection System
- Air Compressor
- LYNX Smart-Cool™ System
- Automatic Damper
- Exhaust Fan
- Drain Discharge Cool-down
- Non-vented Vapor Condenser
- Pass-thru Door Interlock System
- Strip Chart Printer
- Seismic Tie Down
- Detergent Dispensing Systems
- pH Neutralization System
- pH Neutralization Monitoring System



For further information, please contact:

